

# CLARKE®

## STRONG-ARM



## 2.5 TONNE TROLLEY JACK

MODEL NO: CTJ2500QLP

PART NO: 7621804

## OPERATION & MAINTENANCE INSTRUCTIONS



ORIGINAL INSTRUCTIONS

GC1020

---

## INTRODUCTION

---

Thank you for purchasing this CLARKE Garage Jack.

Before attempting to use this product, please read this manual thoroughly and follow the instructions carefully. In doing so you will ensure the safety of yourself and that of others around you, and you can look forward to your purchase giving you long and satisfactory service.

---

## SPECIFICATIONS

---

Model number	CTJ2500QLP
Weight	30.5kg
Dimensions (L x W x H) without handle	724 x 342 x153mm
Cup diameter	110 mm
Rated Load	2.5 tonne (2500kg)
Height of saddle from floor (minimum)	80 mm
Height of saddle from floor (maximum)	510 mm
Pump oil capacity	0.24L
Number of strokes min-max height	7
Distance per stroke	75 mm

---

## GUARANTEE

---

This product is guaranteed against faulty manufacture for a period of 12 months from the date of purchase. Please keep your receipt which will be required as proof of purchase.

This guarantee is invalid if the product is found to have been abused or tampered with in any way, or not used for the purpose for which it was intended.

Faulty goods should be returned to their place of purchase, no product can be returned to us without prior permission. This guarantee does not effect your statutory rights.

---

# SAFETY PRECAUTIONS

---



**WARNING: THE OPERATOR MUST FOLLOW ALL INSTRUCTIONS WITHIN THIS INSTRUCTION BOOKLET**

---

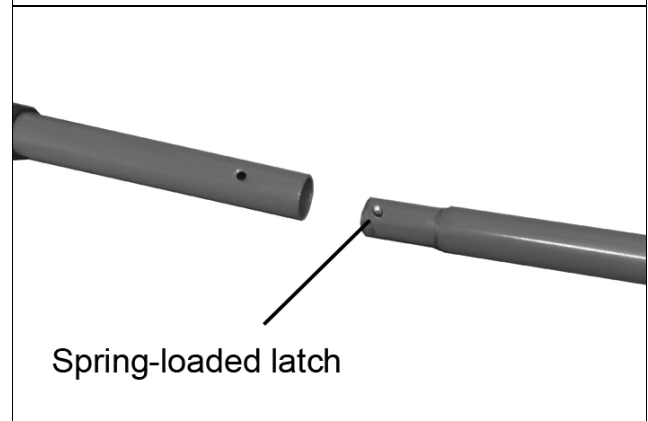
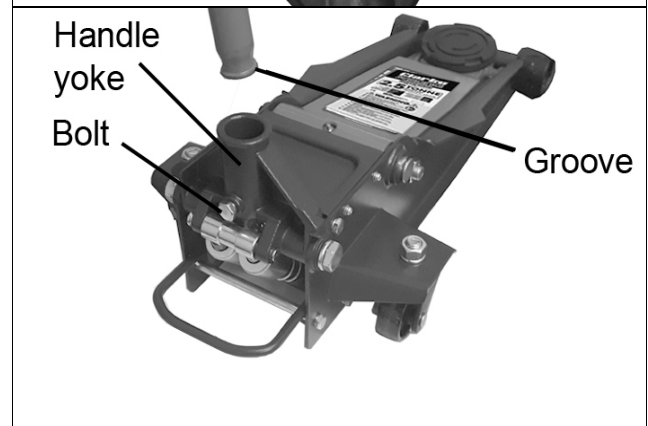
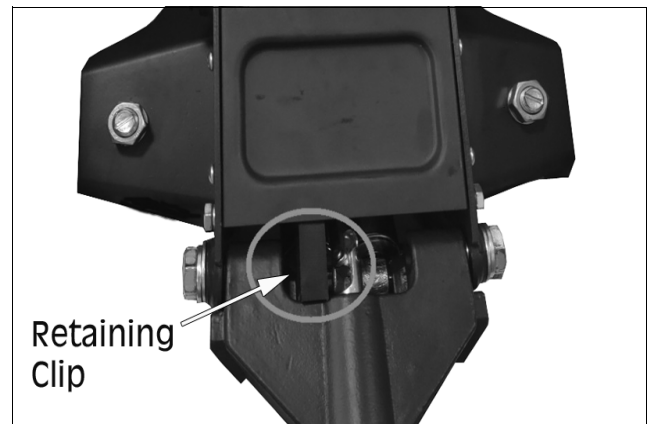
1. This jack is for lifting only. DO NOT move a load using the jack as a dolly.
2. DO NOT use to lift people.
3. ALWAYS inspect the jack before use. Make sure that all parts are in good condition and operating smoothly, and that no cracks or distortion is apparent. If in doubt do not use. Have the damaged parts replaced or consult your CLARKE dealer.
4. **Make sure that the jack is on a firm, solid, level base, and that there is no possibility of it slipping when under load.**
5. Make sure the load is taken by the full saddle and that the point of lift on the load, is strong enough to support the load adequately.
6. **DO NOT work under the raised vehicle until it is supported by suitable means e.g. axle stands, NEVER rely on the jack to support the vehicle by itself.**
7. NEVER push a load off the jack.
8. Ensure that all personnel are well clear of a load being raised or lowered.
9. DO NOT try to lift more than the rated load for the jack, (See "Specifications" on page 2.)
10. DO NOT use the jack if an oil leak is apparent. Consult your CLARKE dealer.
11. Consult the vehicle handbook to determine the correct lifting points.
12. It is necessary that the operator watch the jack and the load during operation.
13. Check the condition of the labels regularly and replace as required.
14. The jack must be maintained and repaired in accordance with the these instructions and such work be carried out by qualified persons.
15. DO NOT make any adjustments to any valves on the jack.

## UNPACKING AND ASSEMBLY

1. Remove the retaining clip by pressing the handle yoke downwards and pulling the clip away.
2. Loosen the bolt in the yoke until the lower handle can be inserted fully into the handle socket.

- The lower handle has a groove which should engage with the bolt once it is re-tightened.

- The socket in the handle will engage with the jack control valve at the base of the yoke.
3. Add the upper handle by sliding it into the lower handle until the spring-loaded latch pops into the hole.



---

## OPERATION

---

This jack incorporates a twin piston pump with a 'quick lift' facility. This provides the user with a rapid raising operation for the unloaded jack. When the jack encounters a load (the vehicle to be raised), its distance raised per stroke reduces to provide a gradual and controllable lifting operation.

Before use, inspect the jack for oil leaks or any other sign of damage. Should any be apparent, have the jack repaired by a qualified technician.



**WARNING: NEVER WORK ON THE VEHICLE WHEN SUPPORTED ONLY BY A JACK WHICH IS A HIGHLY DANGEROUS PRACTICE. THE VEHICLE MUST BE SUPPORTED ON AXLE STANDS OR SUITABLE SUPPORTS, BENEATH THE CORRECT JACKING/SUPPORT POINTS.**

---

1. Ensure the vehicle to be raised is stable and on firm level ground with the wheels chocked.
2. Position the jack so that the saddle is directly beneath the lifting point.
  - Consult the vehicle handbook to determine suitable lifting points.
3. Twist the handle clockwise to close the control valve.
4. Pump the handle to raise the saddle until it reaches the jacking point.
5. Take care that no obstruction prevents a clean lift. Keep all personnel at a safe distance before lifting the vehicle.

**NOTE:** The jack may move slightly during operation. It is important therefore, that the floor is clean and completely free from debris.

6. Position axle stands directly beneath suitable supporting points on the vehicle and very gently twist the handle anticlockwise.
  - This will open the control valve to lower the load onto the stands.
7. To stop it lowering at any point, turn the handle clockwise again. Always avoid a rapid descent by turning the handle slowly.
8. Carefully lower the vehicle onto the axle stand, checking constantly, preferably with an assistant, that the vehicles jacking point rests snugly and cleanly on the axle stand, and that the stand is stable before the weight is taken.

**NOTE:** Ensure this operation is carried out under complete control. DO NOT allow the load to drop suddenly as this could damage internal parts.

9. Completely remove the jack from the vehicle.

---

# MAINTENANCE

---

## PURGING AIR FROM THE SYSTEM

If air bubbles become trapped inside the hydraulic system, the efficiency of the jack will be reduced.

Before initial operation, purge any air from the system by fully opening the pump release valve (turning the handle clockwise), then, while holding the saddle down, pump the handle several times.

## CHECKING /MAINTAINING THE OIL LEVEL

If the jack has been stored for long periods, check for oil leaks before use. If necessary, check the oil level as follows:

1. Ensure the jack is fully lowered by turning the control valve anticlockwise.
2. Remove the cover plate and the oil filler plug.
  - The oil should be almost level with the bottom of the oil filler hole.
  - It can be topped up using Clarke Hydraulic Oil (p/no 3050830 for 1 litre).
3. Purge any air from the system and replace the oil filler plug.
4. Dispose of any old/spilled oil appropriately and wipe up any spillage.

## GENERAL CARE

1. Periodically lubricate the hinges, front wheels & rear castors with light oil. Should the arm become stiff, apply a shot of grease to the grease nipple on the top of the lifting arm as shown.
2. In the event of damage or broken components, replacements are available from CLARKE Parts & Service.



## STORAGE


1. Store in a dry place with the ram fully lowered. If stored for long periods, inspect at least once a year, clean and re-oil. For servicing, contact your CLARKE dealer, or CLARKE International Service Department.


# TROUBLESHOOTING

PROBLEM	CAUSE	SOLUTION
Jack will not lift the rated load	Low oil level	See 'Checking the Oil Level' on p 6
	Valve not closed	Turn the release knob fully clockwise
	Air in the system	Purge the system as on page 6
Jack lower when under load	Release valve not fully closed	Turn the release knob fully clockwise
	Air in the system	Purge the system as on page 6
Pump feels Spongy	Low oil level	See 'Checking the Oil Level' on p 6
	Air in the system	Purge the system as on page 6
Jack will not lift full height	Low oil level	See 'Checking the Oil Level' on p 6
	Air in the system	Purge the system as on p 6
Jack will not lower completely	Return spring may be faulty	Return to your dealer for repair

If any of these remedies fail to restore your jack, consult your CLARKE dealer

# DECLARATION OF CONFORMITY





Hemmall Street, Epping, Essex CM16 4LG

**DECLARATION OF CONFORMITY**

This is an important document and should be retained.


We hereby declare that this product(s) complies with the following directive(s):  
2006/42/EC Machinery Directive.

The following standards have been applied to the product(s):  
EN 1494:2000+A1:2008.

The technical documentation required to demonstrate that the product(s) meets the requirement(s) of the aforementioned directive(s) has been compiled and is available for inspection by the relevant enforcement authorities.

The CE mark was first applied in: 2020

<b>Product Description:</b>	2.5 T Low Profile Trolley Jack
<b>Model number(s):</b>	CTJ2500QLP
<b>Serial / batch Number:</b>	N/A
<b>Date of issue:</b>	27/07/2020

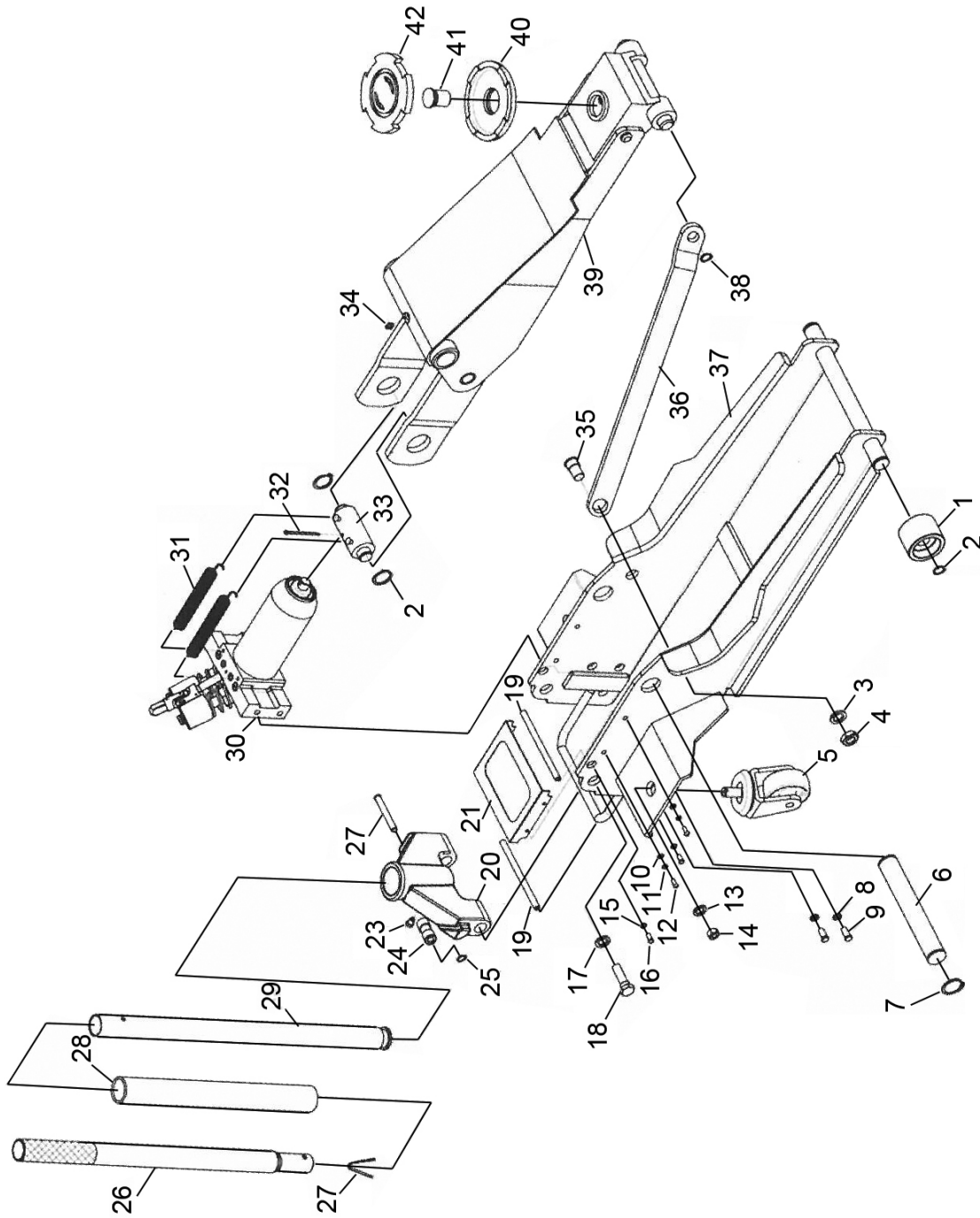
Signed: 

J.A. Clarke  
Director

(19-0176) 2.5 T Low Profile Trolley Jack, DOC (rev0) No:03-0048

Page 1 of 1

# COMPONENT PARTS - GENERAL ASSEMBLY





# COMPONENT PARTS-GENERAL ASSEMBLY

No	Description
1	Front wheel
2	Circlip 20mm
3	Washer M16
4	Nut M16 Chassis frame
5	Rear castor assembly
6	Lifting arm shaft
7	Circlip 25mm Screw M5x12
8	Washer M10
9	Bolt M10x 25
10	Washer M5
11	Washer M5 Yoke bolt
12	Screw M5 x 12
13	Washer 16
14	Nut M16
15	Washer 8
16	Bolt M8 x 20
17	Washer
18	Bolt
19	Shaft
20	Handle socket/yoke
21	Cover board

No	Description
22	n/a
23	Locating screw
24	Idler roller
25	Washer 12 mm
26	Upper handle
27	Locating pin
28	Handle sleeve
29	Lower handle
30	Pump assembly
31	Tension spring
32	Pin 4 x 50
33	Link member
34	Grease nipple M6
35	Bolt
36	Long connecting arm
37	Frame
38	Circlip 14
39	Lifting arm
40	Saddle
41	Screw
42	Rubber pad

## ENVIRONMENTAL PROTECTION

One of the most damaging sources of environmental pollution is oil products. Never throw away used hydraulic oil with domestic refuse or flush it down a sink or drain. Collect any hydraulic oil in a leak proof container and take it to your local waste disposal site.

If disposing of this product or any damaged components, do not dispose of with general waste. This product contains valuable raw materials and should be taken to your local civic amenity site for recycling of metal products.

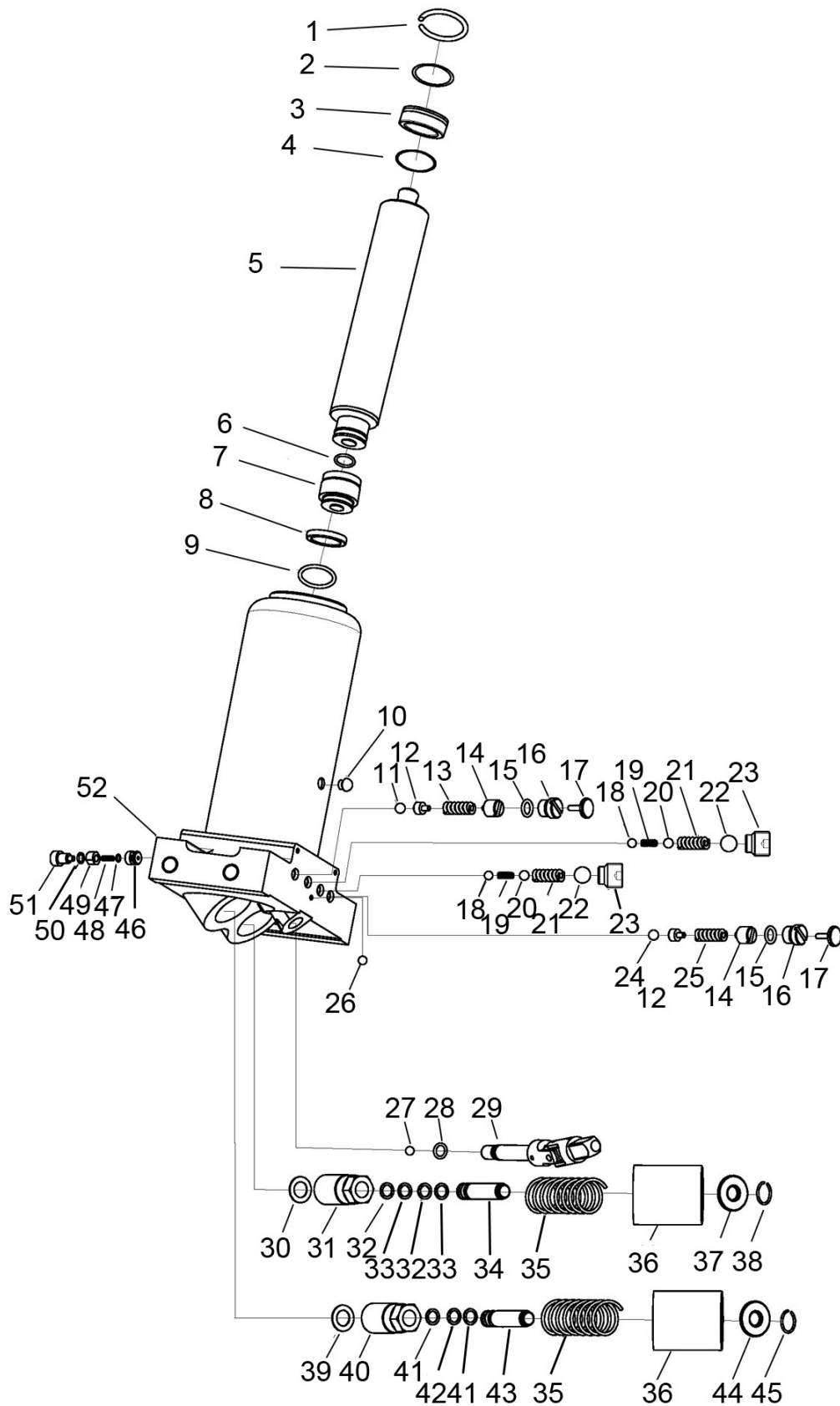
## COMPONENT PARTS - HYDRAULIC PARTS

No	Description
1	Snap ring
2	O-ring 37.5 dia x 2.65#
3	Retaining ring
4	O-ring 29.8 dia x 3.1#
5	Piston rod
6	Retaining ring
7	Piston rod head
8	Washer#
9	O-ring#
10	Oil plug#
11	Steel ball 7dia G16
12	Steel ball seat
13	Safety valve spring
14	Screw
15	O-ring#
16	Screw
17	Cap
18	Steel ball 5dia G16
19	Low pressure spring
20	Steel ball 8dia G16
21	High pressure spring
22	Steel ball 10dia G16
23	Screw Cap M12x16
24	Steel ball 4dia G16
25	Safety valve spring
26	Steel ball 5dia G16

No	Description
27	Steel ball 6dia G16
28	O-ring 8 dia x 1.8#
29	Oil drain valve stem
30	Copper washer#
31	Hydraulic valve body
32	O-ring B#
33	Nylon gasket#
34	Pump core A
35	Spring
36	Dust cover
37	Washer
38	Snap ring A
39	Copper washer#
40	Hydraulic valve body
41	O-ring
42	Pump core O-ring#
43	Pump core
44	Washer
45	Snap ring
46	Sealing pad
47	O-ring 5 x 1.8mm
48	Spring
49	Throttle block
50	Copper washer#
51	Sealing screw
52	Hydraulic power unit base

- Items marked # are components of the Repair Seal Kit.

# COMPONENT PARTS - HYDRAULIC PARTS



# A SELECTION FROM THE VAST RANGE OF

# Clarke®

## QUALITY PRODUCTS



### **AIR COMPRESSORS**

From DIY to industrial, Plus air tools, spray guns and accessories.

### **GENERATORS**

Prime duty or emergency standby for business, home and leisure.

### **POWER WASHERS**

Hot and cold, electric and engine driven - we have what you need

### **WELDERS**

Mig, Arc, Tig and Spot. From DIY to auto/industrial.

### **METALWORKING**

Drills, grinders and saws for DIY and professional use.

### **WOODWORKING**

Saws, sanders, lathes, mortisers and dust extraction.

### **HYDRAULICS**

Cranes, body repair kits, transmission jacks for all types of workshop use.

### **WATER PUMPS**

Submersible, electric and engine driven for DIY, agriculture and industry.

### **POWERTOOLS**

Angle grinders, cordless drill sets, saws and sanders.

### **STARTERS/CHARGERS**

All sizes for car and commercial use.

## **PARTS & SERVICE: 0208 988 7400**

**Parts Enquiries**  
[Parts@clarkeinternational.com](mailto:Parts@clarkeinternational.com)

**Servicing & Technical Enquiries**  
[Service@clarkeinternational.com](mailto:Service@clarkeinternational.com)

**SALES: UK 01992 565333 or Export 00 44 (0)1992 565335**

**Clarke® INTERNATIONAL** Hemnall Street, Epping, Essex CM16 4LG  
[www.clarkeinternational.com](http://www.clarkeinternational.com)